

05-9956-Z5-CL

V0

COSMOS Led Wall fixture

**Description**

Wall light for outdoor use.

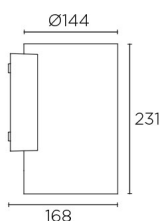
For downlighting. Includes 2 reflectors. Suitable for installation in marine environments. Structure material: Aluminium. Structure finish: Urban grey. Blades material: . Blades finishes: NA. Diffuser material: Glass. Diffuser finish: Transparent. UV protection. Warranty: 5 Years.

Finish

Urban grey
Transparent
NA

Material

Aluminium
Glass

**TECHNICAL CHARACTERISTICS****Light source**

Light source: LED CREE
Output (W): 33W
Total power consumption (W): 38.6 W
Color temperature: LED warm-white
3000K
CRI: 80
Photobiological risk: RG1
Real Lumen: 2367
Qty Leds: 1
Lm/Real W: 61
Life Time: 50.000h L80B20
Bin / Grup: 30H
MacAdam steps: 2
UGR: 12.6

GEAR

Brand: EAGLERISE
Gear included: Yes, electronic
Voltage / Frequency: 100-240 VAC
Power Factor: 0.90

Luminaire

Double cable exit: No
Seaside: Yes
Uv Protection: Yes
Warranty: 5 Years

Logistics

Energy Efficiency: LED A++
EAN Code: 8435381462017
Net Weight (Kg): 2.600
Weight in Kg (packaged): 3.100
Packing: 325 x 155 x 185
Masterbox: 4

The photograph may not match the reference exactly. Please read the product description to identify the finish.

Luminaire

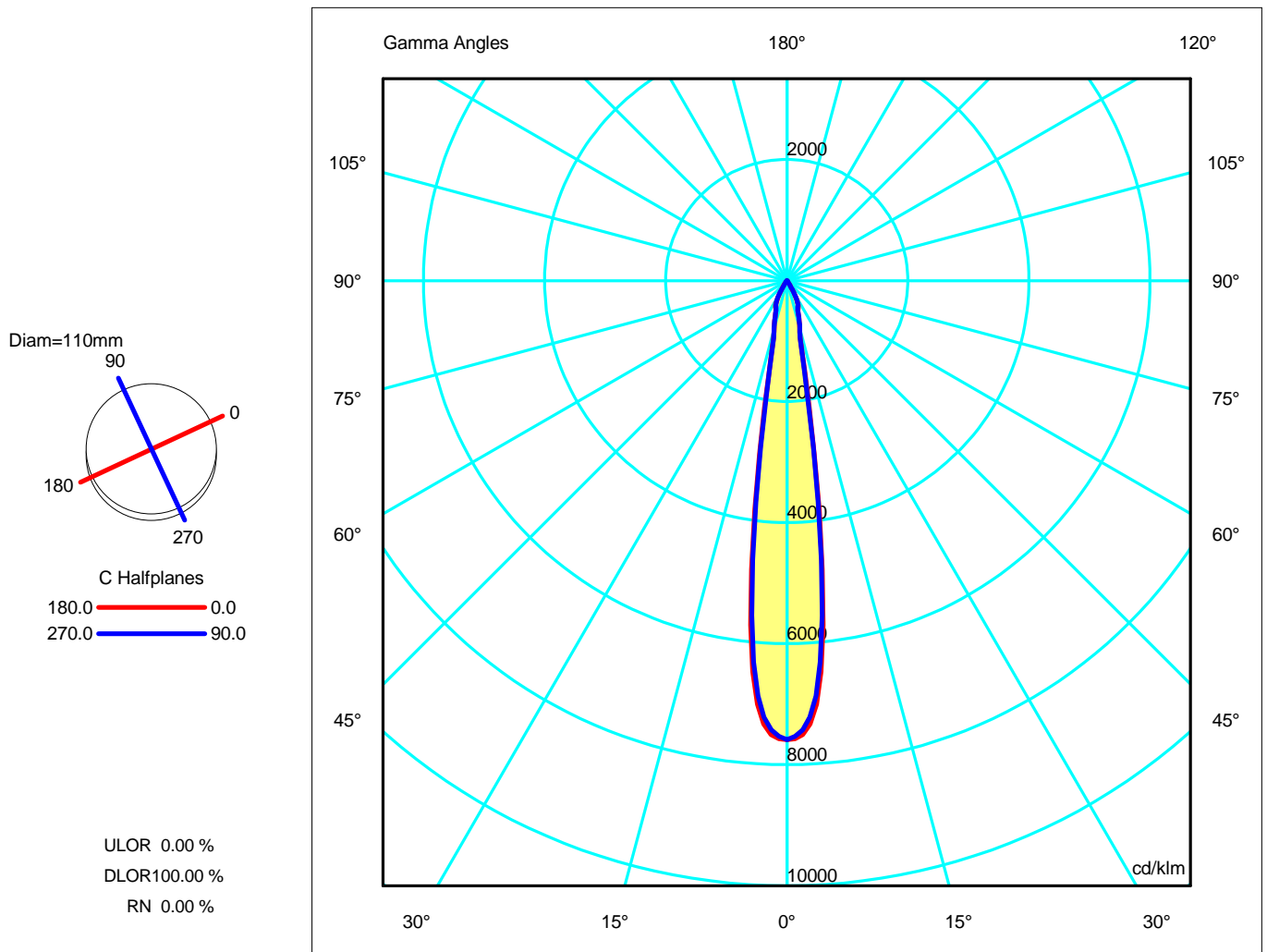
Code 05-9956-Z5-CL-15°
 Name Aplique led COSMOS 33W 15°

Measur.

Code 05-9956-Z5-CL-15°
 Name Aplique led COSMOS 33W 15°

Luminaire Flux	2367.03 lm	Luminaire Power	33.00 W	Efficacy	71.73 lm/W	Efficiency	100.00%
Lamps Flux	2367.03 lm	Maximum value	7585.01 cd/klm	Position	C=0.00 G=0.00	CG Double Symmetrical	
Round Luminaire Round Luminous Area		Diam. Diam.	110 mm 60 mm	Height Height	178 mm 0 mm		
Horizontal Luminous Area Emitting area on Plane 0° Emitting area on Plane 90°		0.002827 m2 0.000000 m2 0.000000 m2		Emitting area on Plane 180° Emitting area on Plane 270° Glare area at 76°		0.000000 m2 0.000000 m2 0.000684 m2	
Coordinate system Date Measurement Distance		CG 13-04-2017 0.00		Symmetry Type Maximum Gamma Angle Measurement Flux		Double Symmetrical 90 2367.03 lm	
Operator Temperature Humidity Notes		Leds 25.00 °C 60.00 %		Source Voltage [V] Source current [A] Photocell			

Line		Code	Luminaire Lamps		Flux [lm]	Pow. [W]	Q.ty
		05-9956-Z5-CL-15°	Name 05-9956-Z5-CL-15°		2367.03	33.00	1
C.I.E.	99 100 100 100 100		D DIN 5040		A60		
F UTE	--		B NBN		BZ 1		



Luminaire

Code 05-9956-Z5-CL-15°
 Name Aplique led COSMOS 33W 15°

Measurment.

Code 05-9956-Z5-CL-15°
 Name Aplique led COSMOS 33W 15°

Luminaire Flux	2367.03 lm	Luminaire Power	33.00 W	Efficacy	71.73 lm/W	Efficiency	100.00%
Lamps Flux	2367.03 lm	Maximum value	7585.01 cd/klm	Position	C=0.00 G=0.00	CG	Double Symmetrical

Luminous Intensity Table cd/klm Table 1/1

	C 0.00	C 15.00	C 30.00	C 45.00	C 60.00	C 75.00	C 90.00
G 0.0	7585.01	7585.01	7585.01	7585.01	7585.01	7585.01	7585.01
G 5.0	6484.66	6508.31	6477.23	6433.93	6395.14	6412.63	6329.82
G 10.0	2120.71	2062.52	2182.23	2010.51	2078.08	1977.52	2022.71
G 15.0	813.15	795.15	816.72	795.09	820.62	801.67	819.06
G 20.0	540.44	531.50	534.34	528.77	528.71	521.22	526.10
G 25.0	444.24	447.44	437.92	439.07	432.97	435.05	427.62
G 30.0	213.94	218.19	218.93	220.93	214.94	223.63	217.30
G 35.0	41.41	32.86	37.47	34.78	37.21	29.39	34.32
G 40.0	14.37	13.85	14.48	15.48	14.99	13.71	14.97
G 45.0	8.84	8.36	9.05	9.34	9.45	8.77	9.53
G 50.0	6.27	6.15	6.50	6.85	6.69	6.73	7.06
G 55.0	5.19	5.08	5.37	5.56	5.55	5.50	5.71
G 60.0	4.65	4.55	4.63	4.64	4.50	4.45	4.49
G 65.0	3.72	3.64	3.71	3.71	3.65	3.53	3.51
G 70.0	2.36	2.42	2.41	2.35	2.36	2.30	2.32
G 75.0	1.19	1.17	1.19	1.18	1.13	1.06	1.12
G 80.0	0.23	0.21	0.25	0.20	0.24	0.20	0.23
G 85.0	0.16	0.17	0.17	0.17	0.18	0.17	0.18
G 90.0	0.15	0.16	0.15	0.16	0.16	0.17	0.17

Luminaire

Code 05-9956-Z5-CL-15°
 Name Applique led COSMOS 33W 15°

Measurment.

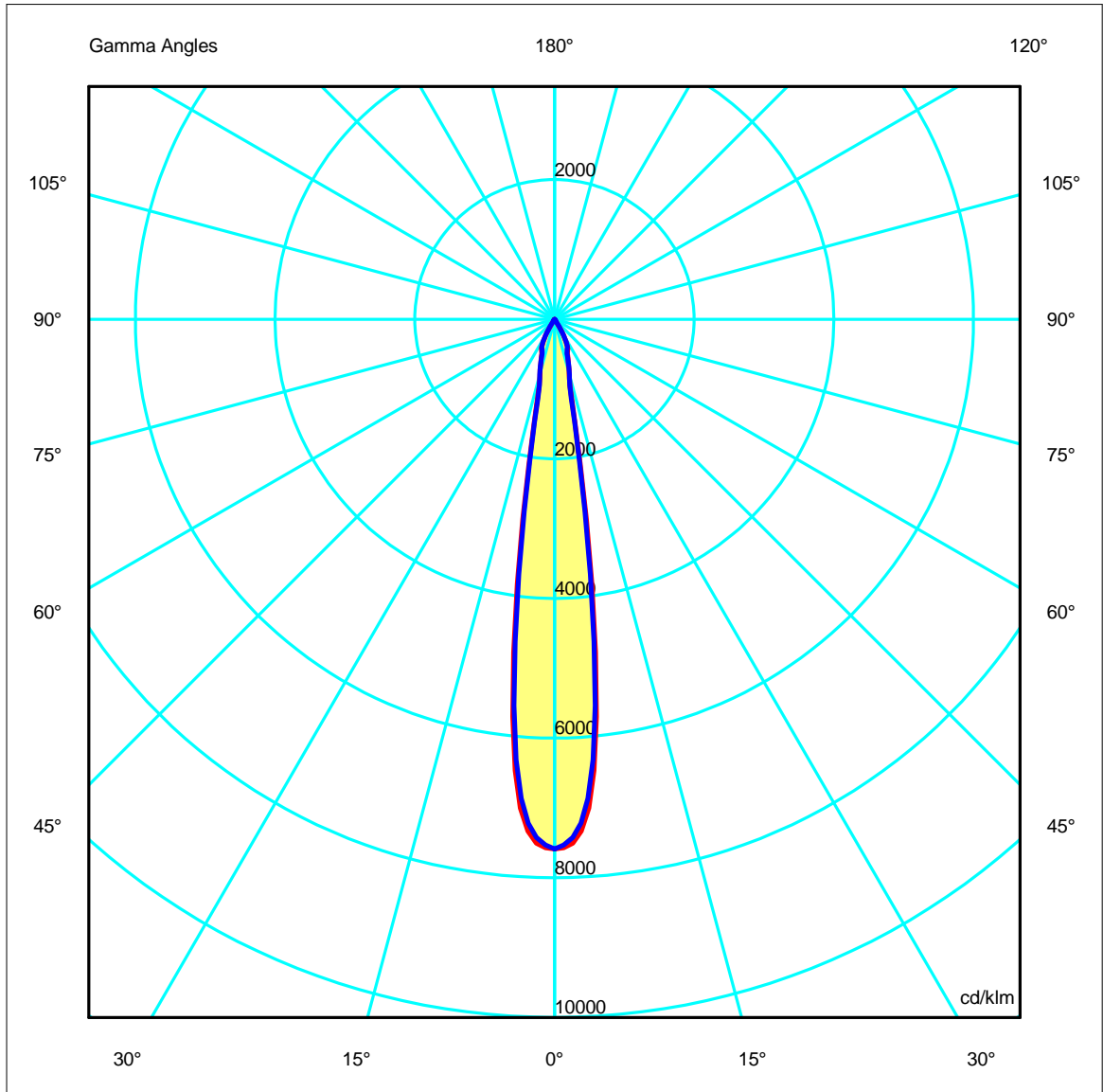
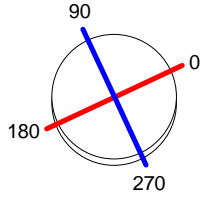
Code 05-9956-Z5-CL-15°
 Name Applique led COSMOS 33W 15°

Luminaire Flux	2367.03 lm	Luminaire Power	33.00 W	Efficacy	71.73 lm/W	Efficiency	100.00%
Lamps Flux	2367.03 lm	Maximum value	7585.01 cd/klm	Position	C=0.00 G=0.00	CG	Double Symmetrical

Diam=110mm

C Halfplanes

180.0 ————— 0.0
 270.0 ————— 90.0



Luminaire

Code 05-9956-Z5-CL-15°
 Name Aplique led COSMOS 33W 15°

Measur.

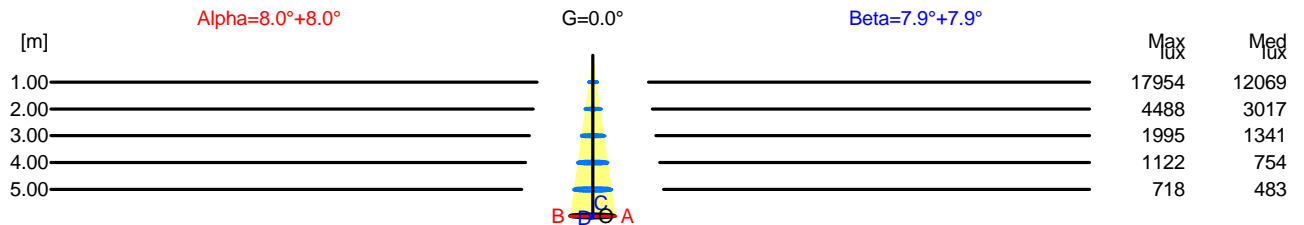
Code 05-9956-Z5-CL-15°
 Name Aplique led COSMOS 33W 15°

Luminaire Flux	2367.03 lm	Luminaire Power	33.00 W	Efficacy	71.73 lm/W	Efficiency	100.00%
Lamps Flux	2367.03 lm	Maximum value	7585.01 cd/klm	Position	C=0.00 G=0.00	CG	Double Symmetrical

Width at 50.00 % of Max Intensity

H[m]	1.00	2.00	3.00	4.00	5.00	H[m]	1.00	2.00	3.00	4.00	5.00
OA	0.14	0.28	0.42	0.56	0.71	OC	0.14	0.28	0.42	0.55	0.69
OB	0.14	0.28	0.42	0.56	0.71	OD	0.14	0.28	0.42	0.55	0.69

	Luminous Intensities [cd/klm]									
	0	5	15	25	35	45	55	65	75	85
OA	17953.95	15349.38	1924.76	1051.52	98.01	20.93	12.29	8.80	2.83	0.37
OB	17953.95	15349.38	1924.76	1051.52	98.01	20.93	12.29	8.80	2.83	0.37
OC	17953.95	14982.89	1938.74	1012.20	81.24	22.55	13.51	8.30	2.66	0.43
OD	17953.95	14982.89	1938.74	1012.20	81.24	22.55	13.51	8.30	2.66	0.43



H[m]	D[m]	Max lux	Med lux	Alpha=8.0°+8.0°	G=0.0	
1.00	0.28	17954	12069			
2.00	0.56	4488	3017			
3.00	0.85	1995	1341			
4.00	1.13	1122	754			
5.00	1.41	718	483			

H[m]	D[m]	Max lux	Med lux	Beta=7.9°+7.9°	G=0.0	
1.00	0.28	17954	12069			
2.00	0.55	4488	3017			
3.00	0.83	1995	1341			
4.00	1.11	1122	754			
5.00	1.39	718	483			

Luminaire

Code 05-9956-Z5-CL-15°
Name Aplique led COSMOS 33W 15°

Measurement

Code 05-9956-Z5-CL-15°
Name Aplique led COSMOS 33W 15°

Luminaire Flux	2367.03 lm	Luminaire Power	33.00 W	Efficacy	71.73 lm/W	Efficiency	100.00%
Lamps Flux	2367.03 lm	Maximum value	7585.01 cd/klm	Position	C=0.00 G=0.00	CG	Double Symmetrical

UGR
S = 0.250

Reflectancies										
Ceiling/Cavity	0.7	0.7	0.5	0.5	0.3	0.7	0.7	0.5	0.5	0.3
Walls	0.5	0.3	0.5	0.3	0.3	0.5	0.3	0.5	0.3	0.3
WorkingPlane	0.2	0.2	0.2	0.2	0.2	0.2	0.2	0.2	0.2	0.2
RoomDimensions	ViewedCrosswise					ViewedEndwise				
x=2H y=2H	12.6	13.2	12.8	13.4	13.8	12.7	13.4	13.0	13.6	13.8
x=2H y=3H	12.9	13.5	13.2	13.7	14.0	13.0	13.6	13.3	13.8	14.0
x=2H y=4H	13.0	13.5	13.3	13.8	14.1	13.0	13.6	13.3	13.8	14.1
x=2H y=6H	12.9	13.4	13.2	13.7	14.0	13.0	13.5	13.3	13.8	14.0
x=2H y=8H	12.9	13.4	13.2	13.6	14.0	12.9	13.4	13.3	13.7	14.0
x=2H y=12H	12.8	13.3	13.2	13.6	14.0	12.9	13.4	13.2	13.7	14.0
x=4H y=2H	12.7	13.2	13.0	13.5	13.8	12.8	13.3	13.1	13.6	13.8
x=4H y=3H	13.1	13.5	13.4	13.8	14.2	13.1	13.6	13.5	13.9	14.2
x=4H y=4H	13.2	13.6	13.5	13.9	14.3	13.2	13.6	13.6	13.9	14.3
x=4H y=6H	13.1	13.5	13.5	13.8	14.2	13.2	13.5	13.6	13.9	14.2
x=4H y=8H	13.1	13.4	13.5	13.8	14.2	13.1	13.4	13.5	13.8	14.2
x=4H y=12H	13.1	13.3	13.5	13.7	14.2	13.1	13.4	13.5	13.8	14.2
x=8H y=4H	13.2	13.4	13.6	13.8	14.2	13.2	13.5	13.6	13.9	14.2
x=8H y=6H	13.1	13.3	13.6	13.7	14.2	13.1	13.4	13.6	13.8	14.2
x=8H y=8H	13.1	13.2	13.5	13.7	14.2	13.1	13.3	13.6	13.7	14.2
x=8H y=12H	13.0	13.2	13.5	13.7	14.2	13.1	13.2	13.6	13.7	14.2
x=12H y=4H	13.1	13.4	13.5	13.8	14.2	13.2	13.4	13.6	13.8	14.2
x=12H y=6H	13.1	13.2	13.5	13.7	14.2	13.1	13.3	13.6	13.7	14.2
x=12H y=8H	13.0	13.2	13.5	13.6	14.2	13.1	13.2	13.6	13.7	14.2

Luminaire

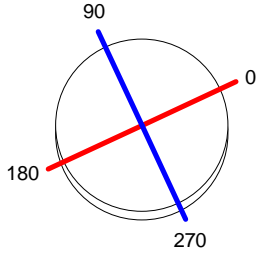
Code 05-9956-Z5-CL-15°
 Name Applique led COSMOS 33W 15°

Measur.

Code 05-9956-Z5-CL-15°
 Name Applique led COSMOS 33W 15°

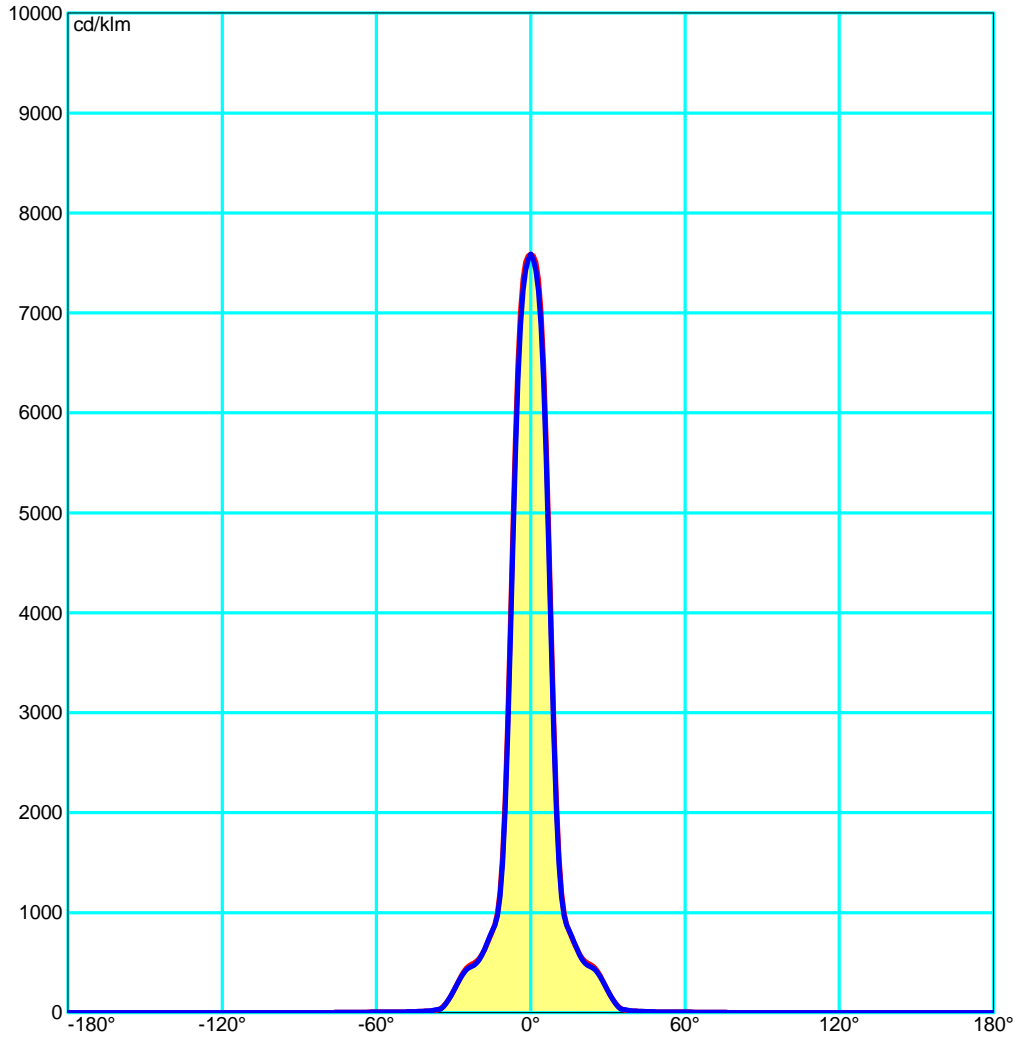
Luminaire Flux	2367.03 lm	Luminaire Power	33.00 W	Efficacy	71.73 lm/W	Efficiency	100.00%
Lamps Flux	2367.03 lm	Maximum value	7585.01 cd/klm	Position	C=0.00 G=0.00	CG	Double Symmetrical

Diam=110mm



C Halfplanes

180.0 ———— 0.0
 270.0 ———— 90.0



Luminaire

Code 05-9956-Z5-CL-15°
 Name Aplique led COSMOS 33W 15°

Measur.

Code 05-9956-Z5-CL-15°
 Name Aplique led COSMOS 33W 15°

Luminaire Flux	2367.03 lm	Luminaire Power	33.00 W	Efficacy	71.73 lm/W	Efficiency	100.00%
Lamps Flux	2367.03 lm	Maximum value	7585.01 cd/klm	Position	C=0.00 G=0.00	CG	Double Symmetrical

Luminance



Luminaire

Code 05-9956-Z5-CL-15°
Name Aplique led COSMOS 33W 15°

Measuram.

Code 05-9956-Z5-CL-15°
Name Aplique led COSMOS 33W 15°

Luminaire Flux	2367.03 lm	Luminaire Power	33.00 W	Efficacy	71.73 lm/W	Efficiency	100.00%
Lamps Flux	2367.03 lm	Maximum value	7585.01 cd/klm	Position	C=0.00 G=0.00	CG	Double Symmetrical

Luminance cd/m2 Table 1/3

	C 0.00	C 10.00	C 20.00	C 30.00	C 40.00	C 50.00	C 60.00	C 70.00	C 80.00	C 90.00	C 100.00	C 110.00	C 120.00
G 0.0	6350884.70	6350884.70	6350884.70	6350884.70	6350884.70	6350884.70	6350884.70	6350884.70	6350884.70	6350884.70	6350884.70	6350884.70	6350884.70
G 5.0	5450304.92	5467954.33	5465437.02	5444058.23	5420944.89	5392643.93	5375068.44	5388726.65	5376166.26	5320168.93	5376166.26	5388726.65	5375068.44
G 10.0	1803051.74	1746690.55	1794117.56	1855351.47	1753191.77	1714853.27	1766803.02	1712885.63	1676022.57	1719728.06	1676022.57	1712885.63	1766803.02
G 15.0	704866.83	689681.18	695841.44	707956.82	693585.79	694746.53	711341.88	701024.05	695410.02	709987.78	695410.02	701024.05	711341.88
G 20.0	481550.53	474943.48	474161.87	476115.61	472758.23	471134.92	471097.40	466295.94	464548.18	468766.24	464548.18	466295.94	471097.40
G 25.0	410409.02	413877.67	410633.35	404576.29	405338.32	404052.96	400000.09	401366.13	400779.65	395060.53	400779.65	401366.13	400000.09
G 30.0	206845.99	210036.13	211184.98	211668.77	213886.44	211354.93	207810.50	213581.41	216044.46	210087.21	216044.46	213581.41	207810.50
G 35.0	42323.00	34906.96	34688.39	38298.45	36330.66	36472.29	38031.65	32427.04	30090.53	35082.65	30090.53	32427.04	38031.65
G 40.0	15708.09	15222.33	15224.25	15823.37	16655.01	16973.46	16386.49	15261.65	15158.04	16358.38	15158.04	15261.65	16386.49
G 45.0	10469.51	9937.25	10095.02	10721.77	10985.56	11183.88	11190.59	10573.57	10487.28	11278.88	10487.28	10573.57	11190.59
G 50.0	8169.88	8010.13	8106.39	8469.62	8844.85	8901.44	8716.65	8699.68	8889.92	9199.16	8889.92	8699.68	8716.65
G 55.0	7581.40	7409.40	7517.73	7843.38	8058.23	8131.69	8098.98	8019.04	8086.58	8329.40	8086.58	8019.04	8098.98
G 60.0	7785.33	7639.92	7640.29	7753.02	7794.93	7697.75	7534.93	7455.48	7466.21	7527.11	7466.21	7455.48	7534.93
G 65.0	7369.37	7239.73	7245.01	7343.24	7364.22	7322.10	7224.17	7059.23	6977.50	6949.73	6977.50	7059.23	7224.17
G 70.0	5766.41	5894.71	5943.06	5888.06	5784.18	5764.95	5780.73	5668.83	5614.34	5690.28	5614.34	5668.83	5780.73
G 75.0	3863.04	3799.26	3810.73	3859.32	3833.75	3774.70	3667.49	3476.06	3445.91	3629.86	3445.91	3476.06	3667.49
G 80.0	1122.85	1004.20	1090.47	1217.36	1051.39	1017.36	1144.50	1041.75	980.04	1094.45	980.04	1041.75	1144.50
G 85.0	1521.25	1594.27	1616.29	1619.05	1656.42	1687.89	1686.10	1678.80	1689.35	1740.67	1689.35	1678.80	1686.10
G 90.0	0.00	0.00	0.00	0.00	0.00	0.00	0.00	0.00	0.00	0.00	0.00	0.00	0.00

Luminaire

Code 05-9956-Z5-CL-15°
 Name Aplique led COSMOS 33W 15°

Measurerm.

Code 05-9956-Z5-CL-15°
 Name Aplique led COSMOS 33W 15°

Luminaire Flux	2367.03 lm	Luminaire Power	33.00 W	Efficacy	71.73 lm/W	Efficiency	100.00%
Lamps Flux	2367.03 lm	Maximum value	7585.01 cd/klm	Position	C=0.00 G=0.00	CG	Double Symmetrical

Luminance cd/m2 Table 2/3

	C 130.00	C 140.00	C 150.00	C 160.00	C 170.00	C 180.00	C 190.00	C 200.00	C 210.00	C 220.00	C 230.00	C 240.00	C 250.00
G 0.0	6350884.70	6350884.70	6350884.70	6350884.70	6350884.70	6350884.70	6350884.70	6350884.70	6350884.70	6350884.70	6350884.70	6350884.70	6350884.70
G 5.0	5392643.93	5420944.89	5444058.23	5465437.02	5467954.33	5450304.92	5467954.33	5465437.02	5444058.23	5420944.89	5392643.93	5375068.44	5388726.65
G 10.0	1714853.27	1753191.77	1855351.47	1794117.56	1746690.55	1803051.74	1746690.55	1794117.56	1855351.47	1753191.77	1714853.27	1766803.02	1712885.63
G 15.0	694746.53	693585.79	707956.82	695841.44	689681.18	704866.83	689681.18	695841.44	707956.82	693585.79	694746.53	711341.88	701024.05
G 20.0	471134.92	472758.23	476115.61	474161.87	474943.48	481550.53	474943.48	474161.87	476115.61	472758.23	471134.92	471097.40	466295.94
G 25.0	404052.96	405338.32	404576.29	410633.35	413877.67	410409.02	413877.67	410633.35	404576.29	405338.32	404052.96	400000.09	401366.13
G 30.0	211354.93	213886.44	211668.77	211184.98	210036.13	206845.99	210036.13	211184.98	213886.44	213886.44	211354.93	207810.50	213581.41
G 35.0	36472.29	36330.66	38298.45	34688.39	34906.96	42323.00	34906.96	34688.39	38298.45	36330.66	36472.29	38031.65	32427.04
G 40.0	16973.46	16655.01	15823.37	15224.25	15222.33	15708.09	15222.33	15224.25	15823.37	16655.01	16973.46	16386.49	15261.65
G 45.0	11183.88	10985.56	10721.77	10095.02	9937.25	10469.51	9937.25	10095.02	10721.77	10985.56	11183.88	11190.59	10573.57
G 50.0	8901.44	8844.85	8469.62	8106.39	8010.13	8169.88	8010.13	8106.39	8469.62	8844.85	8901.44	8716.65	8699.68
G 55.0	8131.69	8058.23	7843.38	7517.73	7409.40	7581.40	7409.40	7517.73	7843.38	8058.23	8131.69	8098.98	8019.04
G 60.0	7697.75	7794.93	7753.02	7640.29	7639.92	7785.33	7639.92	7640.29	7753.02	7794.93	7697.75	7534.93	7455.48
G 65.0	7322.10	7364.22	7343.24	7245.01	7239.73	7369.37	7239.73	7245.01	7343.24	7364.22	7322.10	7224.17	7059.23
G 70.0	5764.95	5784.18	5888.06	5943.06	5894.71	5766.41	5894.71	5943.06	5888.06	5784.18	5764.95	5780.73	5668.83
G 75.0	3774.70	3833.75	3859.32	3810.73	3799.26	3863.04	3799.26	3810.73	3859.32	3833.75	3774.70	3667.49	3476.06
G 80.0	1017.36	1051.39	1217.36	1090.47	1004.20	1122.85	1004.20	1090.47	1217.36	1051.39	1017.36	1144.50	1041.75
G 85.0	1687.89	1656.42	1619.05	1616.29	1594.27	1521.25	1594.27	1616.29	1619.05	1656.42	1687.89	1686.10	1678.80
G 90.0	0.00	0.00	0.00	0.00	0.00	0.00	0.00	0.00	0.00	0.00	0.00	0.00	0.00

Luminaire

Code 05-9956-Z5-CL-15°
Name Aplique led COSMOS 33W 15°

Measurerm.

Code 05-9956-Z5-CL-15°
Name Aplique led COSMOS 33W 15°

Luminaire Flux	2367.03 lm	Luminaire Power	33.00 W	Efficacy	71.73 lm/W	Efficiency	100.00%
Lamps Flux	2367.03 lm	Maximum value	7585.01 cd/klm	Position	C=0.00 G=0.00	CG	Double Symmetrical

Luminance cd/m2 Table 3/3

	C 260.00	C 270.00	C 280.00	C 290.00	C 300.00	C 310.00	C 320.00	C 330.00	C 340.00	C 350.00
G 0.0	6350884.70	6350884.70	6350884.70	6350884.70	6350884.70	6350884.70	6350884.70	6350884.70	6350884.70	6350884.70
G 5.0	5376166.26	5320168.93	5376166.26	5388726.65	5375068.44	5392643.93	5420944.89	5444058.23	5465437.02	5467954.33
G 10.0	1676022.57	1719728.06	1676022.57	1712885.63	1766803.02	1714853.27	1753191.77	1855351.47	1794117.56	1746690.55
G 15.0	695410.02	709987.78	695410.02	701024.05	711341.88	694746.53	693585.79	707956.82	695841.44	689681.18
G 20.0	464548.18	468766.24	464548.18	466295.94	471097.40	471134.92	472758.23	476115.61	474161.87	474943.48
G 25.0	400779.65	395060.53	400779.65	401366.13	400000.09	404052.96	405338.32	404576.29	410633.35	413877.67
G 30.0	216044.46	210087.21	216044.46	213581.41	207810.50	211354.93	213886.44	211668.77	211184.98	210036.13
G 35.0	30090.53	35082.65	30090.53	32427.04	38031.65	36472.29	36330.66	38298.45	34688.39	34906.96
G 40.0	15158.04	16358.38	15158.04	15261.65	16386.49	16973.46	16655.01	15823.37	15224.25	15222.33
G 45.0	10487.28	11278.88	10487.28	10573.57	11190.59	11183.88	10985.56	10721.77	10095.02	9937.25
G 50.0	8889.92	9199.16	8889.92	8699.68	8716.65	8901.44	8844.85	8469.62	8106.39	8010.13
G 55.0	8086.58	8329.40	8086.58	8019.04	8098.98	8131.69	8058.23	7843.38	7517.73	7409.40
G 60.0	7466.21	7527.11	7466.21	7455.48	7534.93	7697.75	7794.93	7753.02	7640.29	7639.92
G 65.0	6977.50	6949.73	6977.50	7059.23	7224.17	7322.10	7364.22	7343.24	7245.01	7239.73
G 70.0	5614.34	5690.28	5614.34	5668.83	5780.73	5764.95	5784.18	5888.06	5943.06	5894.71
G 75.0	3445.91	3629.86	3445.91	3476.06	3667.49	3774.70	3833.75	3859.32	3810.73	3799.26
G 80.0	980.04	1094.45	980.04	1041.75	1144.50	1017.36	1051.39	1217.36	1090.47	1004.20
G 85.0	1689.35	1740.67	1689.35	1678.80	1686.10	1687.89	1656.42	1619.05	1616.29	1594.27
G 90.0	0.00	0.00	0.00	0.00	0.00	0.00	0.00	0.00	0.00	0.00

Luminaire

Code 05-9956-Z5-CL-15°
 Name Aplique led COSMOS 33W 15°

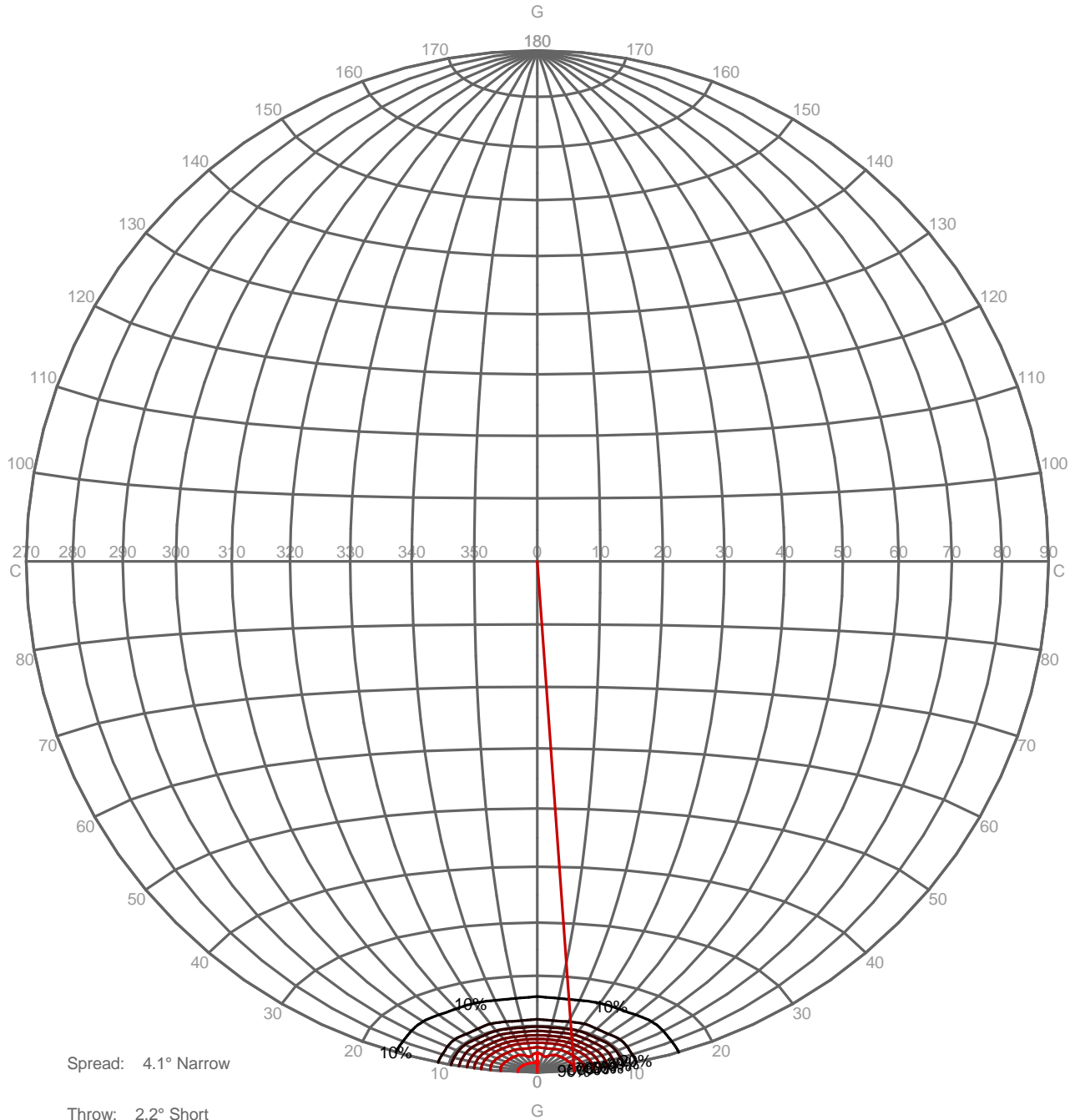
Measur.

Code 05-9956-Z5-CL-15°
 Name Aplique led COSMOS 33W 15°

Luminaire Flux	2367.03 lm	Luminaire Power	33.00 W	Efficacy	71.73 lm/W	Efficiency	100.00%
Lamps Flux	2367.03 lm	Maximum value	7585.01 cd/klm	Position	C=0.00 G=0.00	CG	Double Symmetrical

PERCENTAGE ISOCANDLES

Projection: Equal Area SLI 11.1 Tight Tilting Angle:0°



Spread: 4.1° Narrow

Throw: 2.2° Short

Luminaire

Code 05-9956-Z5-CL-15°
 Name Aplique led COSMOS 33W 15°

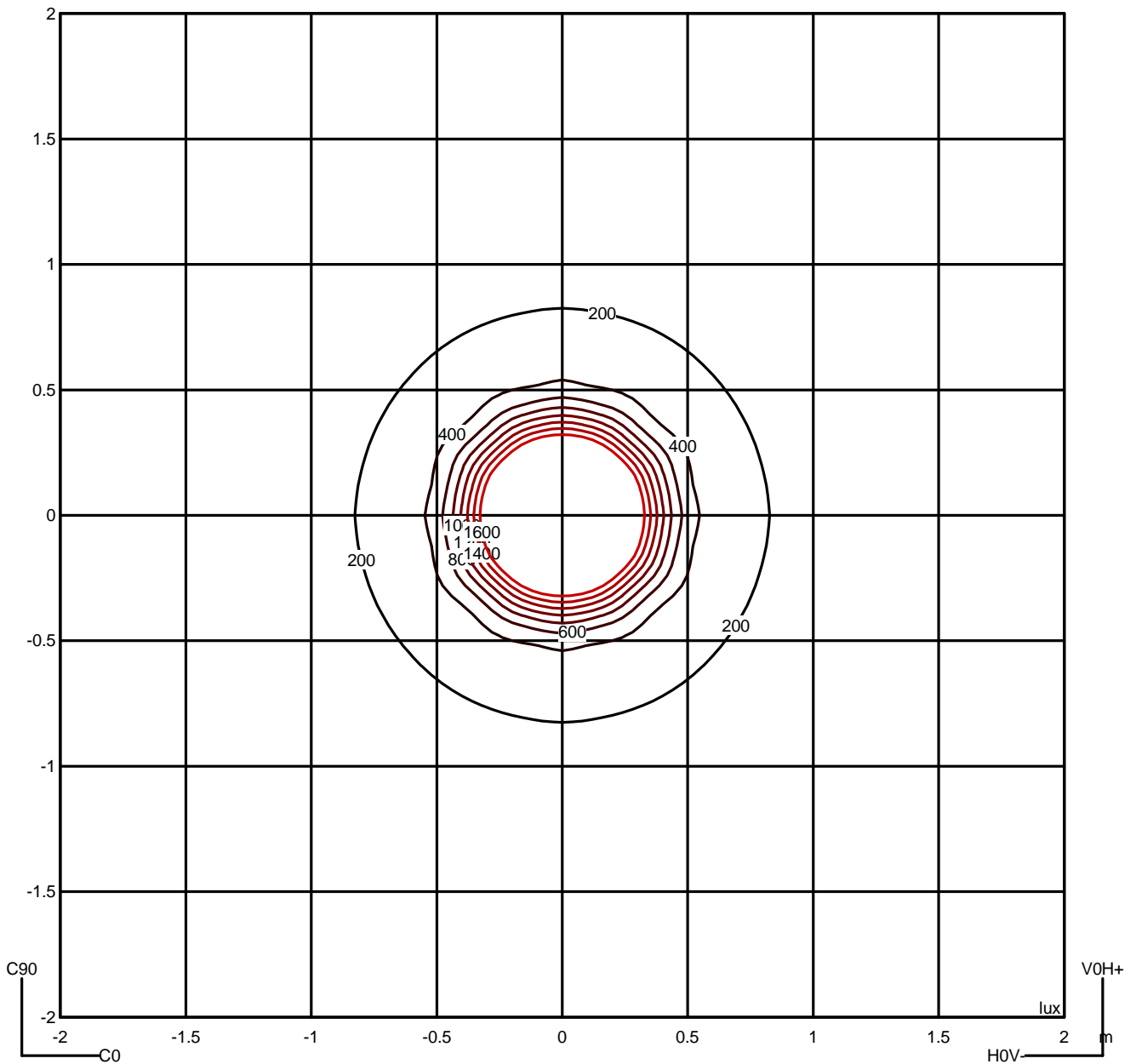
Measur.

Code 05-9956-Z5-CL-15°
 Name Aplique led COSMOS 33W 15°

Luminaire Flux	2367.03 lm	Luminaire Power	33.00 W	Efficacy	71.73 lm/W	Efficiency	100.00%
Lamps Flux	2367.03 lm	Maximum value	7585.01 cd/klm	Position	C=0.00 G=0.00	CG	Double Symmetrical

Isolux (Floor)

Luminaire position X=0.00m Y=0.00m Z=2.50m



Luminaire

Code 05-9956-Z5-CL-15°
 Name Aplique led COSMOS 33W 15°

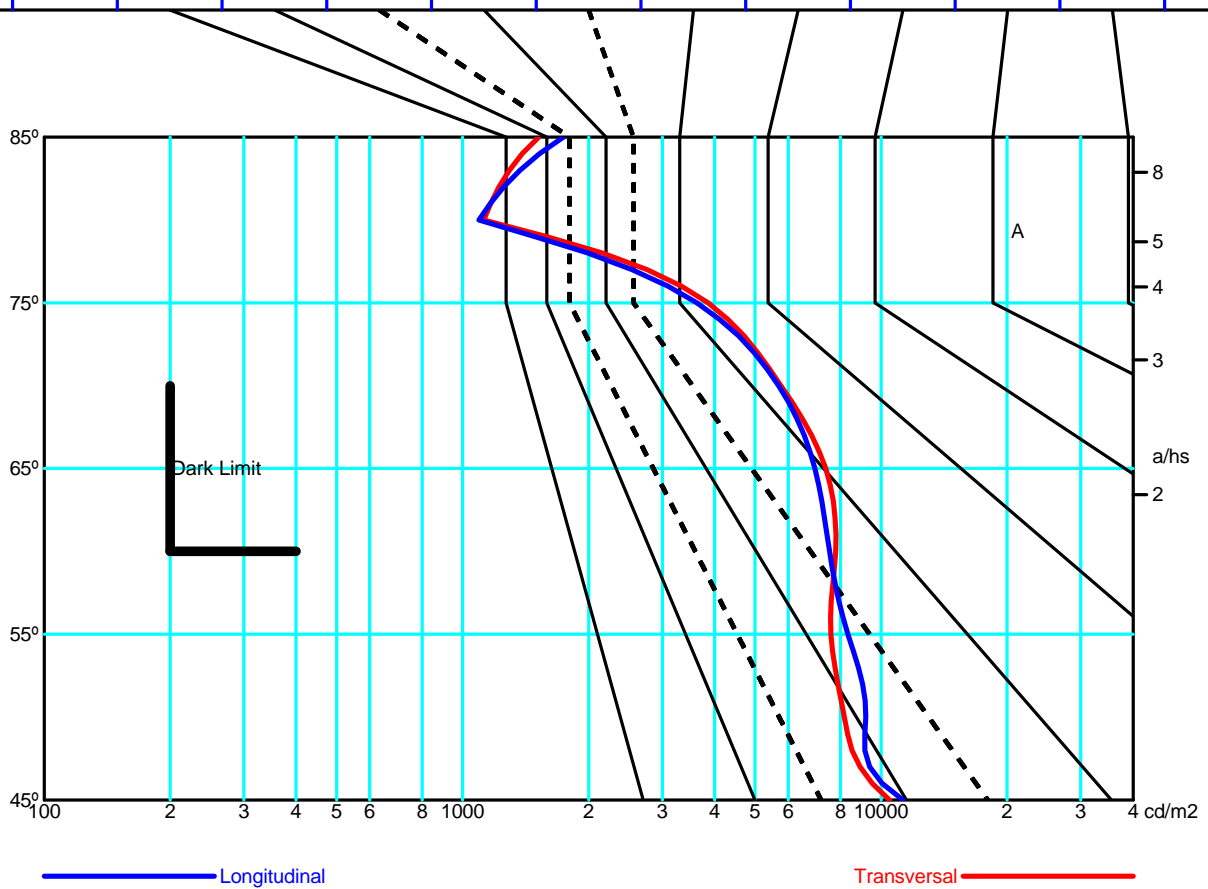
Measur.

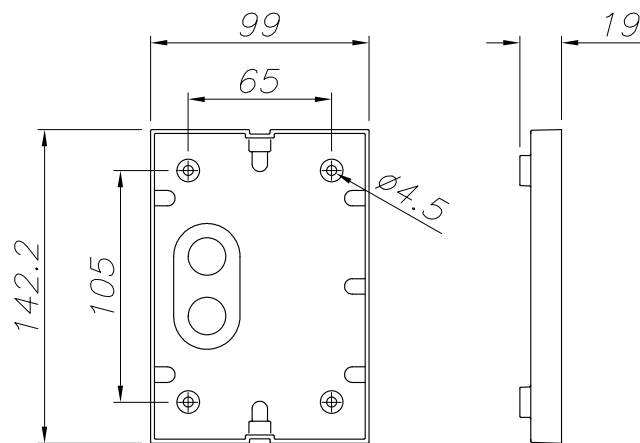
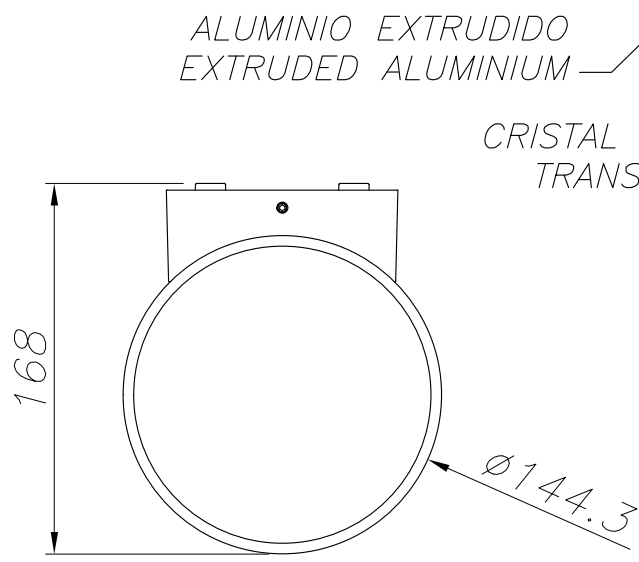
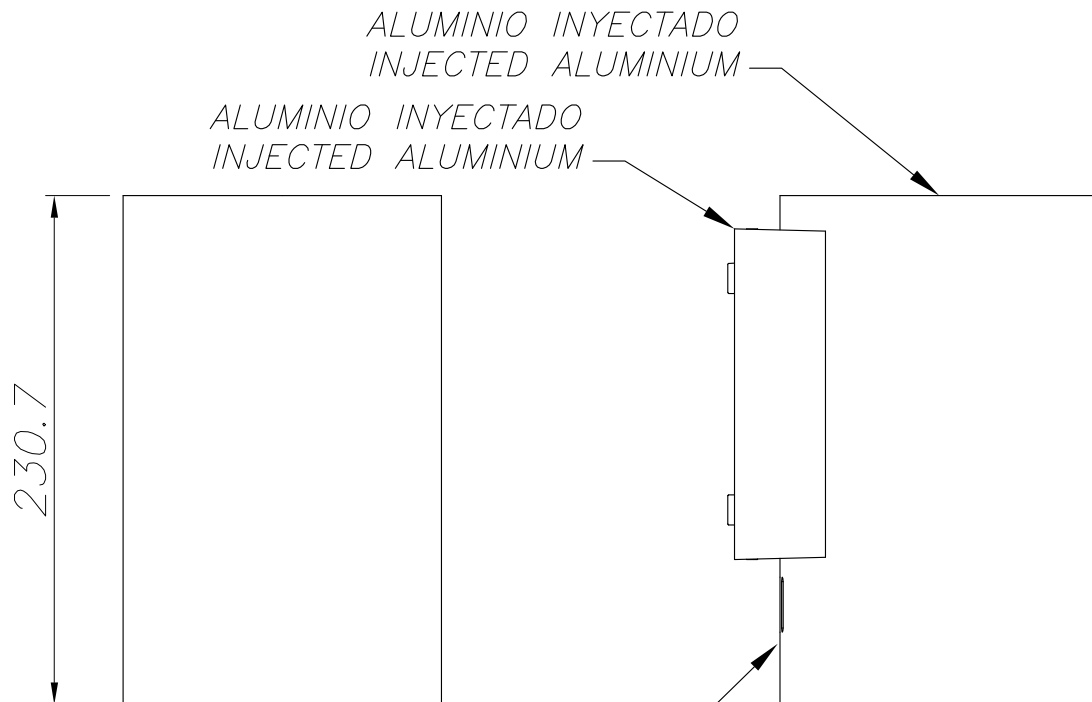
Code 05-9956-Z5-CL-15°
 Name Aplique led COSMOS 33W 15°

Luminaire Flux	2367.03 lm	Luminaire Power	33.00 W	Efficacy	71.73 lm/W	Efficiency	100.00%
Lamps Flux	2367.03 lm	Maximum value	7585.01 cd/klm	Position	C=0.00 G=0.00	CG	Double Symmetrical

Average Luminance [cd/m ²]										
	45°	50°	55°	60°	65°	70°	75°	80°	85°	
0.0°	10470	8170	7581	7785	7369	5766	3863	1123	1521	---
90.0°	11279	9199	8329	7527	6950	5690	3630	1094	1741	---

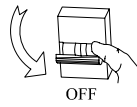
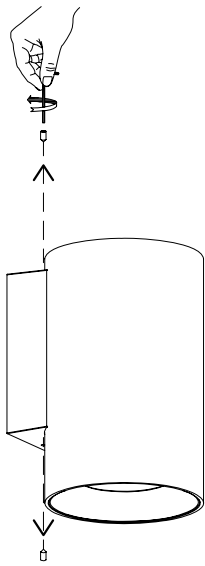
Flush mounted or longitudinal view												
		Illumination(Ix)										
A	A	2000	1000	750	500		<300					1.15
B	1		2000	1500	1000	750	500	<300				1.5
C					2000		1000	500	<300			1.85
D	2						2000	1000	500	<300		2.2
E	3							2000	1000	500	<300	2.55



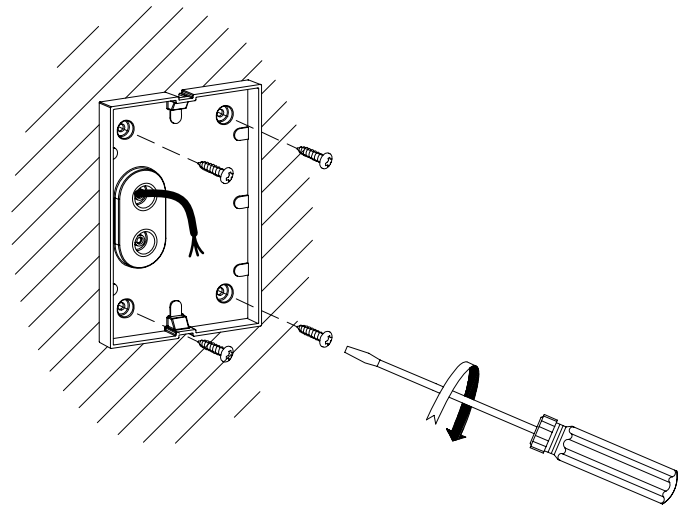


PLANTILLA DE INSTALACIÓN
INSTALLATION TEMPLATE

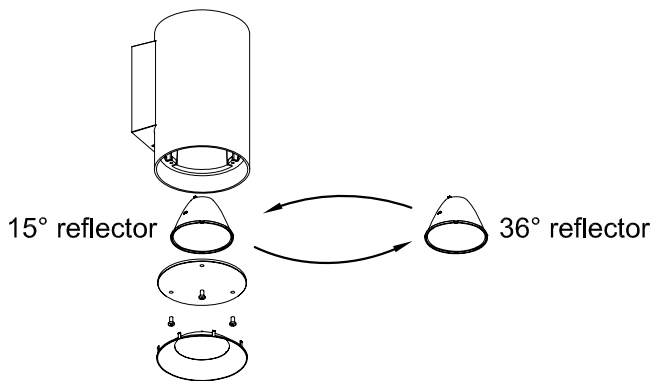
①



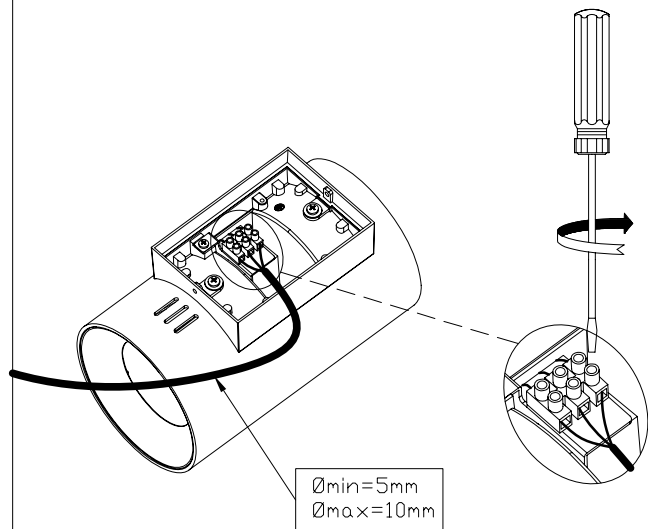
②



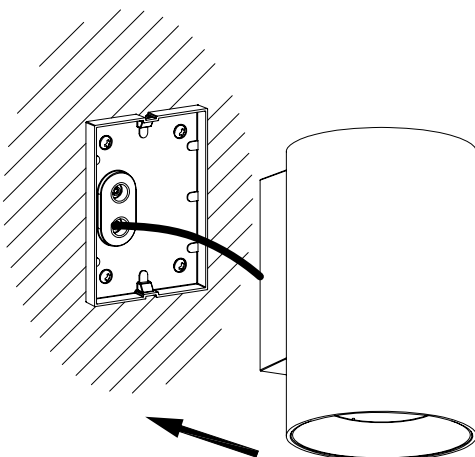
Option



③



④



⑤

