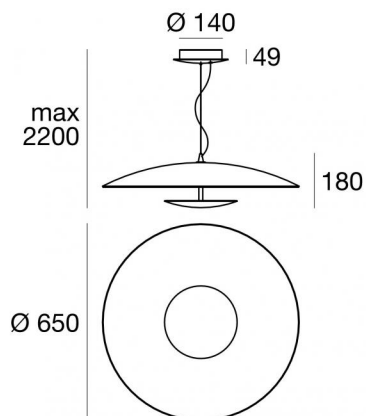




Pendant Luminaires | 220-240 V
1 topLED 29 W DC - 34 W AC | CRI 80
90288



Technical data	
Type	Surface
Installation position	Ceiling
Installation environment	Indoor
Light Source	LED
Optics	General Lighting
Light emission direction	upward
Power	29 W
Source lumens	3652 lm
Frequency	60 - 50 Hz
CCT / Tone	3000 K
Colour rendering index	80 Ra
C.C. / C.V.	AC
Safety class	1
IP	IP20
Glow wire test	650°
Direct mounting on normally flammable surfaces	Yes
CE	Yes
Driver included	Driver
Dimmable article	No
Directional	No
Tilting	No
Walk-over	No
Drive-over	No
Cable included	No
Resin potting	No
Type of light emission	Double emission
Electrostatic discharge protection	No
Surge protection	No

Finishing casing	
Material	Iron
Colour	chrome
Processing	Electroplating

Finishing diffuser	
Material	Glass
Colour	white
Processing	Sandblasting

Finishing mounting frame	
Material	Iron
Colour	white
Processing	Coating

Pendant Luminaires | 220-240 V | 1 topLED 29 W DC - 34 W AC | CRI 80 | Base 90288

Double emission pendant luminaires for indoor application. The warm white LED light source with a general lighting light distribution is composed of 1 topLEDs with CCT of 3000 K and a CRI 80; the source luminous flux is 3652 lm, with a 125.9 lm/W nominal luminous efficacy.

The device body is made of iron and features a chrome finish, processed by means of electroplating; the diffuser is made of glass with a sandblasting treatment; the mounting frame is made of iron, with a white finish, processed by means of coating. The ingress protection degree is IP20;

The total absorbed power is 29 W.

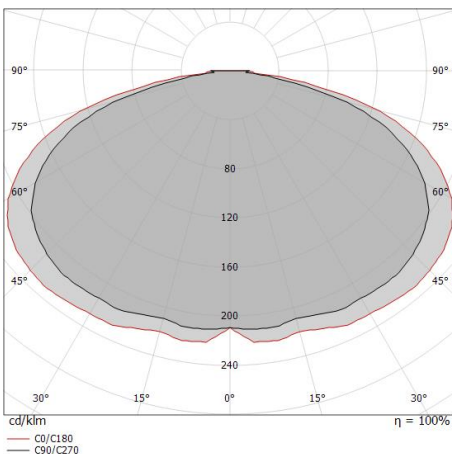
The device features protection class I and can be ceiling-mounted.

Compliant with the EN 60598-1 standard and its specific provisions.

Illuminotechnical Features	
Light Output Ratio (LOR)	62 %
Source lumens	3652 lm
Delivered lumens	2270 lm
Consumption	34 W
Luminaire efficacy	66 lm/W
Colour temperature	3000 K
Colour rendering index	80 Ra
Junction temperature (lighting fixture)	80
Standard Operating Ambient Temperature	25

UGR	
UGR axial	17
UGR transversal	18
X=4H Y=8H	S=0.25H
Reflection factor	70/50/20

OPTICAL	
Light distribution simmetry	Symmetrical 2
C0/C180 optics	152°
C90/C270 optics	148°



Distance [m]	Cone diameter [m]	illuminance [lx]	E(0°)	E(C90)	E(C0)
0.5	3.44 4.01	1902 21 15	73.8°	76.0°	76.0°
1.0	6.88 8.02	475 5 4	73.8°	76.0°	76.0°
1.5	10.33 12.03	211 2 2	73.8°	76.0°	76.0°
2.0	13.77 16.04	119 1 1	73.8°	76.0°	76.0°
2.5	17.21 20.05	76 1 1	73.8°	76.0°	76.0°
3.0	20.65 24.06	53 1 0	73.8°	76.0°	76.0°

— C0/C180 (Half-peak divergence: 152.0°)
— C90/C270 (Half-peak divergence: 147.6°)