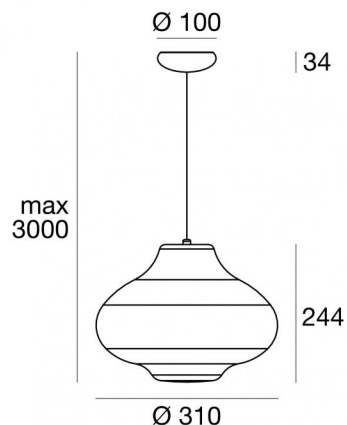




Pendant Luminaires | 220-240 V | 1xE27
8383



Technical data	
Type	Surface
Installation position	Ceiling
Installation environment	Indoor
Lamp cap	1 x E27 Max 46W
Frequency	50-60 Hz
Optics	General Lighting
Light emission direction	downward
Safety class	1
IP	IP20
Glow wire test	650°
Direct mounting on normally flammable surfaces	Yes
CE	Yes
Dimmable article	No
Directional	No
Tilting	No
Walk-over	No
Drive-over	No
Cable included	Yes
Cable length	3 m
Resin potting	No
Net weight	1.230 Kg

Finishing casing	
Material	Iron
Colour	embossed white RAL 9003
Processing	Coating
Finishing diffuser	
Material	PE
Colour	neutral
Finishing mounting frame	
Material	Iron
Colour	zinc
Processing	Washing



Pendant Luminaires | 220-240 V | 1xE27 | Base
8383

Double emission pendant luminaires for indoor application. Compatibility:
LED lamp, compact fluo 30 W, halogen 46 W; lamp cap 1xE27.

The device body is made of iron and features a embossed white ral 9003 finish, processed by means of coating; the diffuser is made of pe; the mounting frame is made of iron, with a zinc finish, processed by means of washing. The ingress protection degree is IP20; the total weight is of 1.230 kg.

. The power supply cable is included and features a 3 m lenght.

The device features protection class I and can be ceiling-mounted.

Compliant with the EN 60598-1 standard and its specific provisions.

Illuminotechnical Features	
Light Output Ratio (LOR)	100 %
Source lumens	700 lm
Delivered lumens	638 lm
Consumption	11 W
Luminaire efficacy	58 lm/W
Colour temperature	2500 K
Colour rendering index	100 Ra

UGR	
UGR axial	14.7
UGR transversal	15.5
X=4H Y=8H	S=0.25H
Reflection factor	70/50/20

OPTICAL	
Light distribution simmetry	Symmetrical
C0/C180 optics	180°

