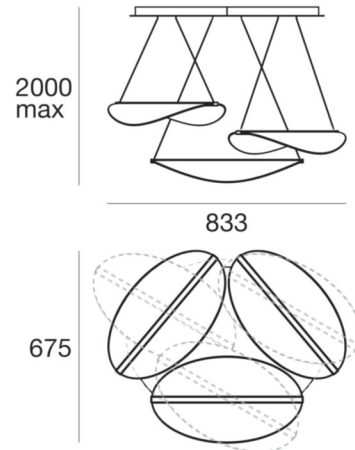




Pendant Luminaires | 220-240 V | topLED 42 W 900 mA
CRI 90
8168



Technical data	
Construction year	2016
Type	Surface
Installation position	Ceiling
Installation environment	Indoor
Light Source	LED
Circuit structure	topLED
Optics	General Lighting
Light emission direction	downward
Power	42 W
Source lumens	5730 lm
Frequency	60 - 50 Hz
CCT / Tone	3000 K
Colour rendering index	90 Ra
AC / DC	AC
Safety class	1
IP	IP20
Optical compartment IP	IP40
Glow wire test	650°
Direct mounting on normally flammable surfaces	Yes
CE	Yes
ETL	No
Fire Rated (BS 476 PT21 compliant)	No
Driver included	Driver
Dimmable article	DALI
Emergency mode	No
Motion sensor	No
Directional	Swivelling
total angle (vertical plane)	90 °
total angle (horizontal plane)	0 °
Tilting	No
Walk-over	No
Drive-over	No
Cable included	No
Resin potting	No
Type of light emission	Double emission
Electrostatic discharge protection	No
Surge protection	No

Finishing casing

Material	Aluminium
Colour	embossed white RAL 9003
Processing	Coating

Finishing diffuser

Material	PMMA
Colour	transparent
Processing	Laser engravings

Finishing mounting frame

Material	Iron
Colour	embossed white RAL 9003
Processing	Coating

Pendant Luminaires | 220-240 V | topLED 42 W 900 mA | CRI 90
8168

Double emission pendant luminaires for indoor application. The warm white LED light source with a general lighting light distribution is composed of 200 topped LEDs with CCT of 3000 K and a CRI 90; the source luminous flux is 5730 lm, with a 136.4 lm/W nominal luminous efficacy.

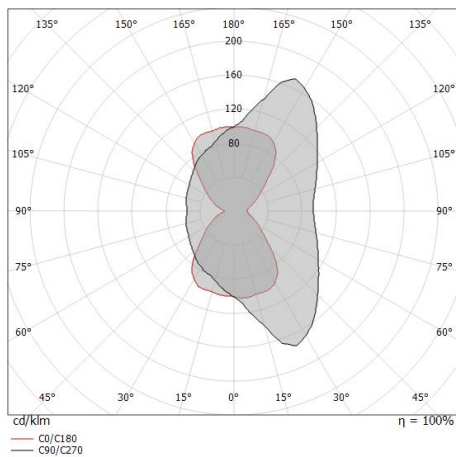
The device body is made of aluminium and features a embossed white ral 9003 finish, processed by means of coating; the diffuser is made of pmma with a laser engravings treatment; the mounting frame is made of iron, with a embossed white ral 9003 finish, processed by means of coating. The ingress protection degree is IP20;

The total absorbed power is 42 W.

The device features protection class I and can be ceiling-mounted.

Compliant with the EN 60598-1 standard and its specific provisions.

Illuminotechnical Features	
Light Output Ratio (LOR)	76 %
Source lumens	5730 lm
Delivered lumens	4370 lm
Consumption	42 W
Luminaire efficacy	104 lm/W
Colour temperature	3000 K
Standard Deviation of Colour Matching	3 Step MacAdam
Colour rendering index	90 Ra
Junction temperature (lighting fixture)	80
Standard Operating Ambient Temperature	25
LED Life / Failure Ratio	
L80 B20 C0 80000h	
OPTICAL	
Light distribution simmetry	Asymmetrical
C90/C270 optics	180°





Diphy_P | Pendant Luminaires | Accessories
8168



Dimmer
Bluetooth, 220-240V

Code
KIT0079