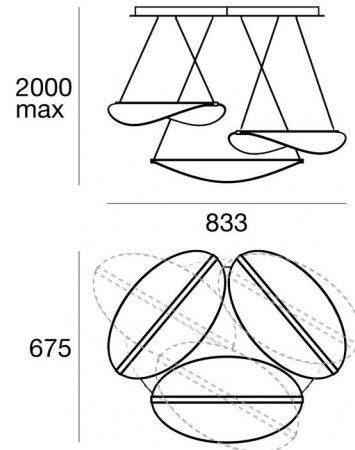




Pendant Luminaires | 220-240 V  
200 topLED 47 W DC - 54 W AC | CRI 90  
**8168**



Technical data	
Construction year	2016
Type	Surface
Installation position	Ceiling
Installation environment	Indoor
Light Source	LED
Optics	General Lighting
Light emission direction	downward
Power	47 W
Source lumens	6582 lm
Frequency	60 - 50 Hz
CCT / Tone	3000 K
Colour rendering index	90 Ra
C.C. / C.V.	AC
Safety class	1
IP	IP20
Optical compartment IP	IP40
Glow wire test	650°
Direct mounting on normally flammable surfaces	Yes
CE	Yes
Driver included	Driver
Dimmable article	DALI - PUSH DIM
Directional	Swivelling
total angle (vertical plane)	90 °
total angle (horizontal plane)	0 °
Tilting	No
Walk-over	No
Drive-over	No
Cable included	Yes
Cable length	2 m
Resin potting	No
Type of light emission	Double emission
Net weight	9.045 Kg
Electrostatic discharge protection	No
Surge protection	No

### Finishing casing

Material	Aluminium
Colour	Embossed white RAL 9003
Processing	Coating

### Finishing diffuser

Material	PMMA
Colour	transparent
Processing	Laser engravings

### Finishing mounting frame

Material	metal
Colour	Embossed white RAL 9003
Processing	Coating



Pendant Luminaires | 220-240 V | 200 topLED 47 W DC - 54 W AC | CRI 90 | Base  
8168

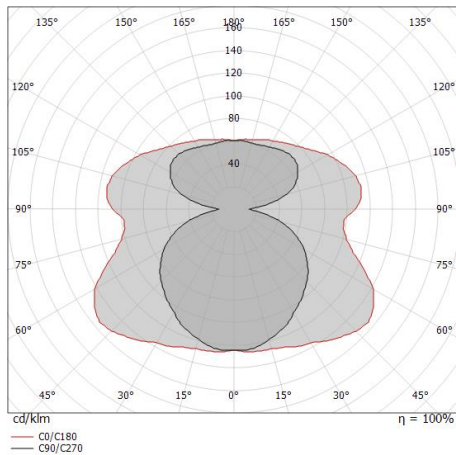
Double emission pendant luminaires for indoor application. The warm white LED light source with a general lighting light distribution is composed of 200 topLEDs with CCT of 3000 K and a CRI 90; the source luminous flux is 6582 lm, with a 140.0 lm/W nominal luminous efficacy.

The device body is made of aluminium and features an embossed white RAL 9003 finish, processed by means of coating; the diffuser is made of PMMA with a laser engraving treatment; the mounting frame is made of metal, with an embossed white RAL 9003 finish, processed by means of coating. The ingress protection degree is IP20; the total weight is 9.045 kg.

The total absorbed power is 42 W. The power supply cable is included and features a 2 m length.

The device features protection class I and can be ceiling-mounted.

Compliant with the EN 60598-1 standard and its specific provisions.



### Energy efficiency class

This product contains 6 light sources of energy efficiency class E.

### Illuminotecnical Features

Light Output Ratio (LOR)	81 %
Source lumens	6582 lm
Delivered lumens	5353 lm
Consumption	54 W
Luminaire efficacy	99 lm/W
Colour temperature	3000 K
Standard Deviation of Colour Matching	3 Step MacAdam
Colour rendering index	90 Ra
Junction temperature (lighting fixture)	80
Standard Operating Ambient Temperature	25

### LED Life / Failure Ratio

L80 B20 C0 80000h

### UGR

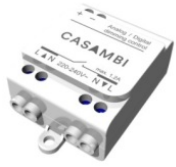
UGR axial	19.7
UGR transversal	25.3
X=4H   Y=8H	S=0.25H
Reflection factor	70/50/20

### OPTICAL

Light distribution symmetry	Symmetrical 2
C0/C180 optics	180°
C90/C270 optics	130°



**8168**



Dimmer  
Bluetooth, 220-240V

**Code**  
KIT0079