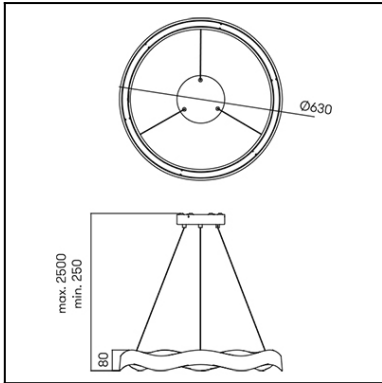


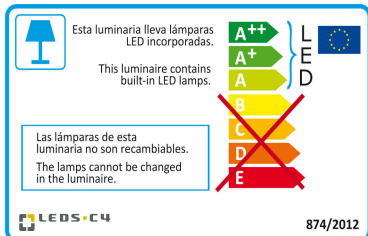
Design by Josep Patsí



The photograph may not match the reference exactly. Please read the product description to identify the finish.



Download photometric file .ldt /.ies



Click on image to download energy label

TECHNICAL CHARACTERISTICS

Type:	Pendant
IP Protection degrees:	IP20
Light source 1:	288 x LED
Bulb specified at the product label	24.3W Warm White - 3000K 2300 lm ^(N) CRI 80
Total power consumption (W):	28.3W
Voltage / Frequency:	220-240V/50-60Hz
Warranty:	2
Option to extend the guarantee:	5
Units per box:	1
Net Weight (Kg):	
EAN Code:	8435381449728
CFM:	0.00



MATERIALS / FINISHES

Structure material: Steel
Polyurethane

Structure finish: Matt white
Matt white

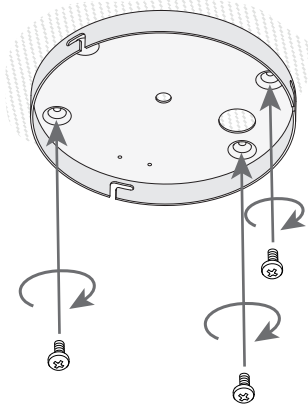
Diffuser material: Methacrylate

Diffuser finish: Opal

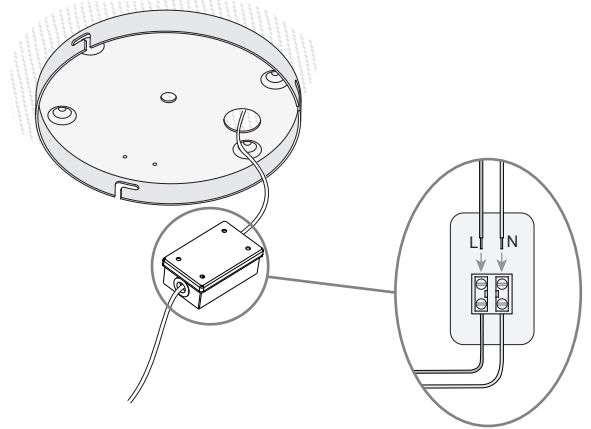
GEAR

Gear included: Yes, electronic
Dimming protocol: Mains dimming (LC)

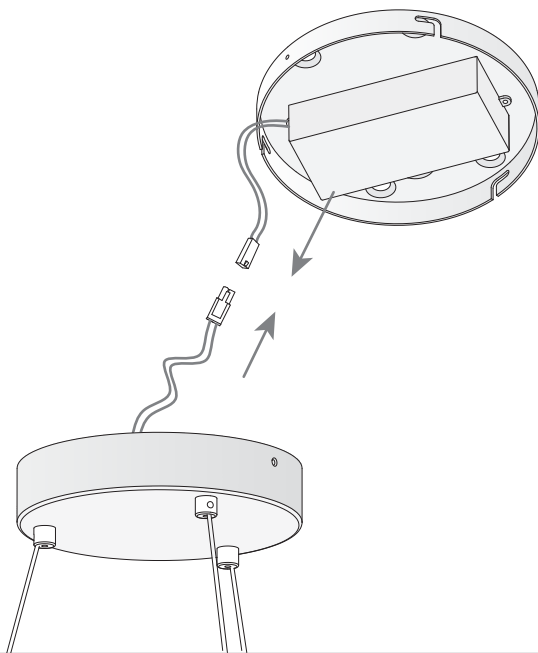
1



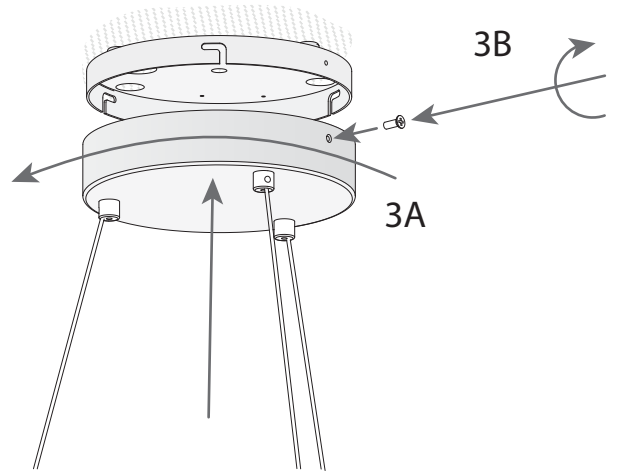
2



3



4



5

